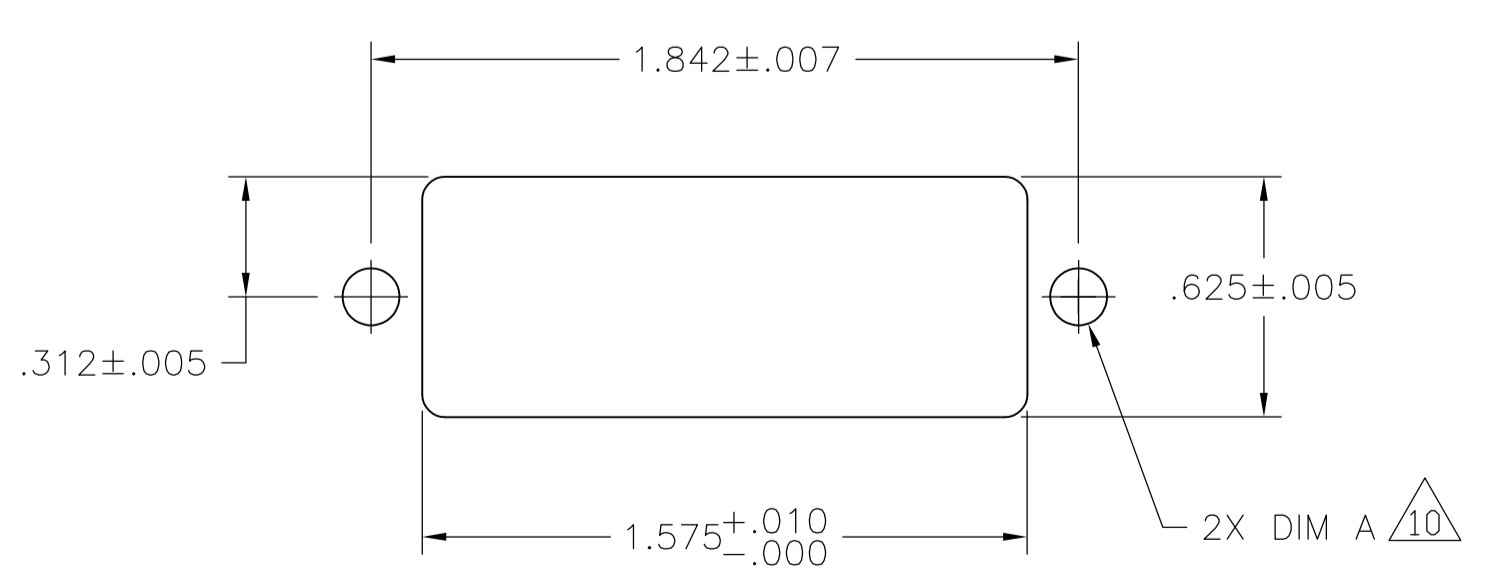
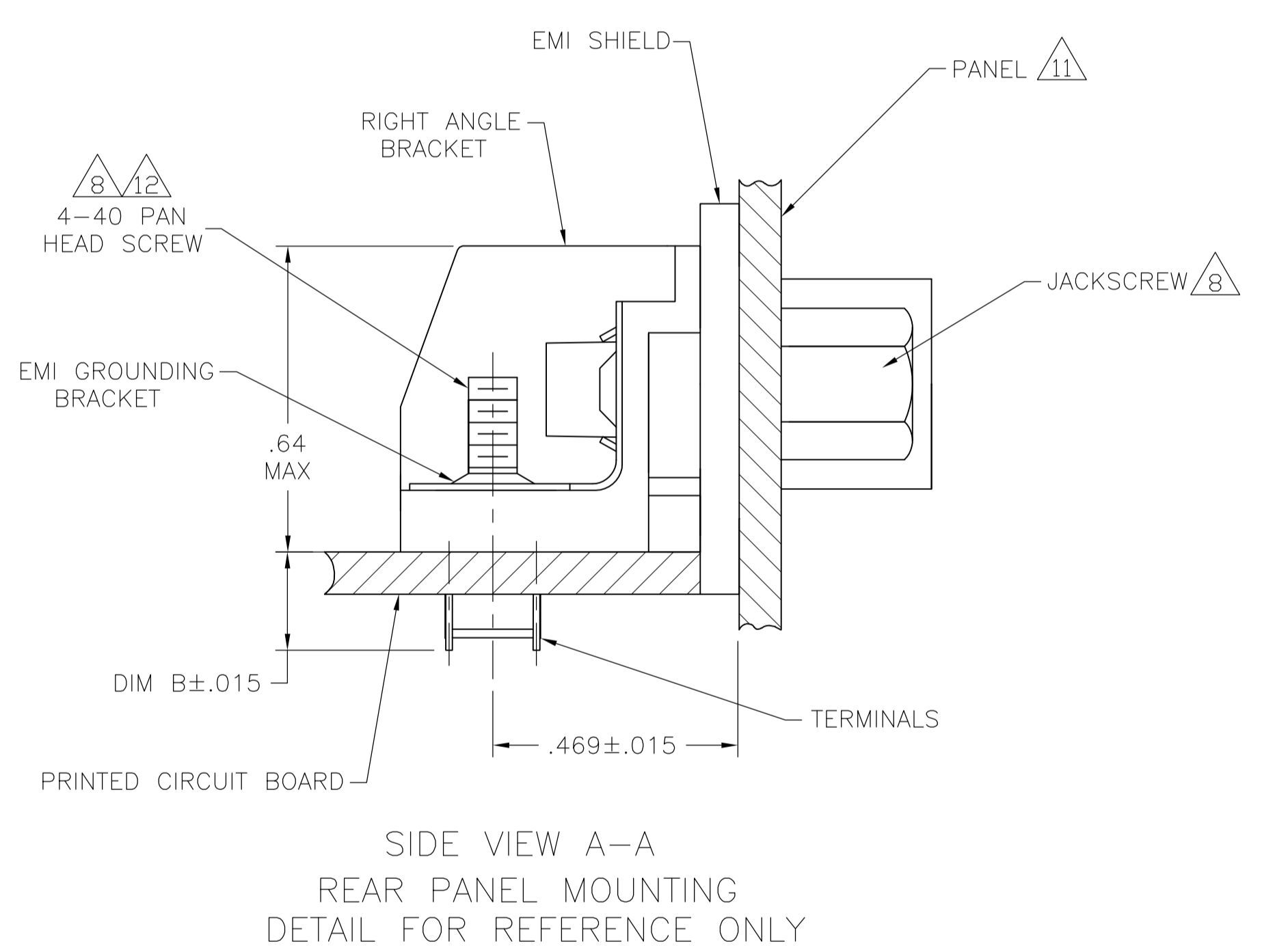
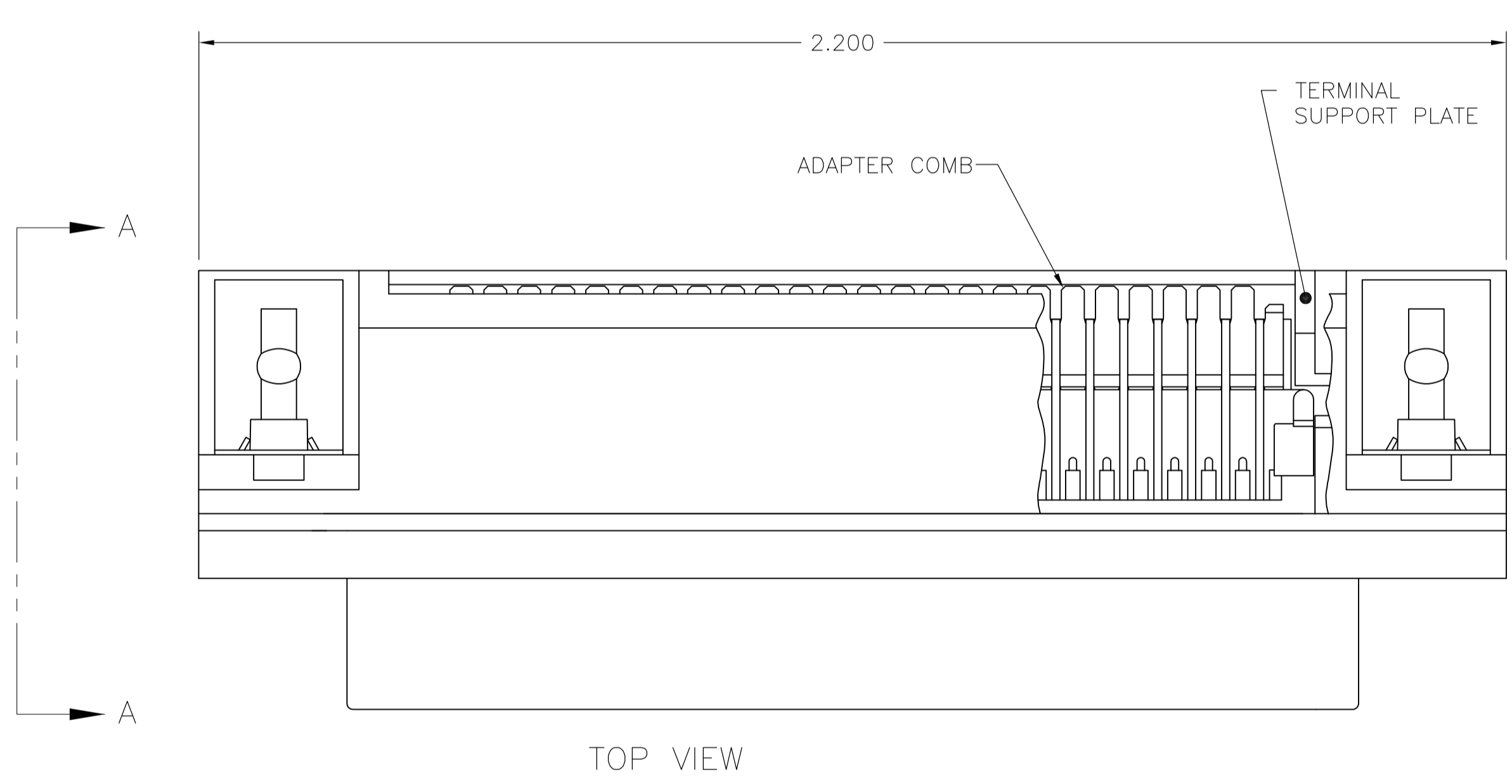


- $\triangle 1$ MATERIAL:
HOUSING, RIGHT ANGLE BRACKET, ADAPTER COMB & SUPPORT PLATE: THERMOPLASTIC, BLACK.
EMI SHIELD: BRIGHT NICKEL OVER COPPER PLATED DIE CATING.
TERMINALS: HIGH STRENGTH COPPER ALLOY PLATED WITH EITHER .000030 MIN GOLD PLATE OR GOLD FLASH OVER PALLADIUM NICKEL PLATE, .000030 MIN TOTAL ON MATING SURFACE. .000120 MIN TIN-LEAD PLATE ON TAILS. ALL OVER .000050 MIN NICKEL UNDERPLATE OVER ENTIRE TERMINAL.
GROUND BRACKET: ZINC PLATED CARBON STEEL.
- 2. THE CONTACT SURFACES OF THE TERMINALS ARE COATED WITH LUBRICANT.
- 3. CENTER-TO-CENTER SPACING OF TERMINALS IS .085.
- $\triangle 4$ ALL DIMENSIONS SHOWN ARE FOR REFERENCE ONLY UNLESS OTHERWISE SPECIFIED.
- $\triangle 5$ DETAILS A & B ARE VIEWED FROM MATING SIDE OF RECEPTACLE ASSEMBLY.
- $\triangle 6$ TERMINAL 1 LOCATED IN THIS ROW FOR STANDARD ORIENTATION.
- $\triangle 7$ TERMINAL 1 LOCATED IN THIS ROW FOR REVERSE ORIENTATION.
- $\triangle 8$ SCREWS SHOWN FOR REFERENCE ONLY, RECOMMENDED HARDWARE KIT, 554272-1, FOR USE WITH PART NUMBER 553811-3 & -4. HARDWARE KIT IS SHOWN FOR REFERENCE ONLY.
- 9. EMI SHIELD IS ASSEMBLED TO CONNECTOR BEFORE SHIPMENT.
- $\triangle 10$ FOR IEEE APPLICATION DIM A SHALL BE .192±.003.
- $\triangle 11$ PANEL THICKNESS RANGE: .062 MAX.
- $\triangle 12$ STAINLESS STEEL SCREWS RECOMMENDED BECAUSE OF CONTACT WITH SOLDER BATH.
- $\triangle 13$ HOLES TO BE TAPPED AFTER PLATING.
- $\triangle 14$ OBSOLETE.



STANDARD	.157	.126±.003	4-40 UNC-2B	REVERSE	B	$\triangle 14$ 553811-4
STANDARD	.157	.126±.003	4-40 UNC-2B	STANDARD	A	553811-3
IEEE-488	.157	.152±.003	6-32 UNC-2B	REVERSE	B	553811-2
IEEE-488	.157	.152±.003	6-32 UNC-2B	STANDARD	A	553811-1
APPLICATION	BIM B	DIM A	SHIELD HOLE SIZE	ORIENTAION	DETAIL	PART NUMBER

THIS DRAWING IS A CONTROLLED DOCUMENT.

DIMENSIONS: INCHES	TOLERANCES UNLESS OTHERWISE SPECIFIED:	DIN Z: REAM 15/FEB/07	APVD W: MILLHIMES 15/FEB/07	NAME	RESTRICTED TO
0 PLC ± -	1 PLC ± -	15/FEB/07	15/FEB/07	ASSEMBLY, EMI RECEPTACLE, 24 POSITION, SCREW LOCK, W/ GROUNDING BRACKET, RIGHT ANGLE, CHAMP	
2 PLC ± -	3 PLC ± -				
4 PLC ± -	ANGLES ± -				
MATERIAL $\triangle 1$	FINISH $\triangle 1$	SIZE	SCALE	WEIGHT	REV
		A1	2:1	00779	1 OF 1
		C=553811			S

CUSTOMER DRAWING